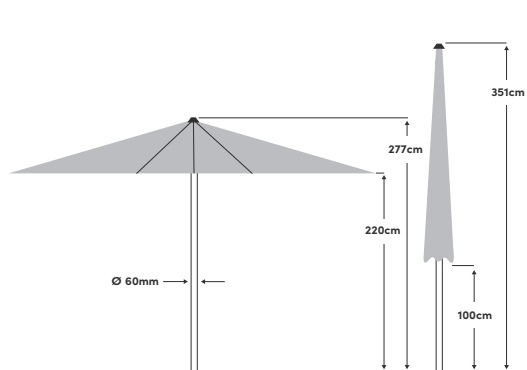
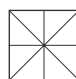
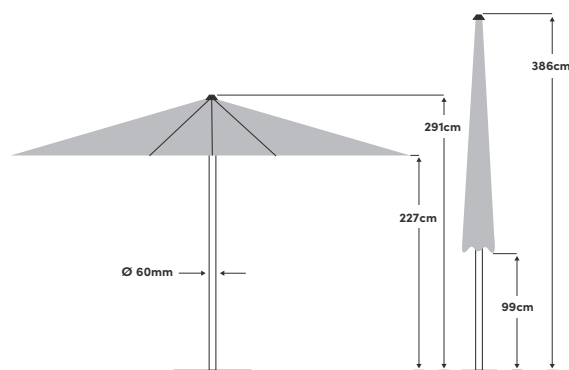
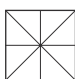


Gastrofit 350 × 350 cm/400 × 400 cm



 350 × 350 cm ①



 400 × 400 cm ②

Special functions	Particularly fast opening and closing thanks to rope pull	Fabric	100% polyester 180g/m ² , water-repellent
Opening/closing	With slider	Lightfastness	6 (160 days)
Rotating	No	UV protection	> 98%
Height adjustment	No	Flounce	No
Rotation	No	Wind vent	No
Pole material	Aluminium	Fastener	Sewn into the fabric
Strut material	Steel	Use	Patio, restaurants
Number of struts	8	Included in the scope of delivery	
Pole size	60 mm	Also available	Cross base, protective cover
Strut colour	Powder coating in platinum		

Recommended base weight	120 kg ① 180 kg ②
Packaging dimensions	250 × 26 × 26 cm ① 290 × 26 × 26 cm ②
Weight including packaging	23 kg ① 26 kg ②

Size	Colour	Article	EAN
350 × 350 cm	Eggshell 150	59000351621150	7640125034707
400 × 400 cm	Eggshell 150	59000401621150	7640125034714