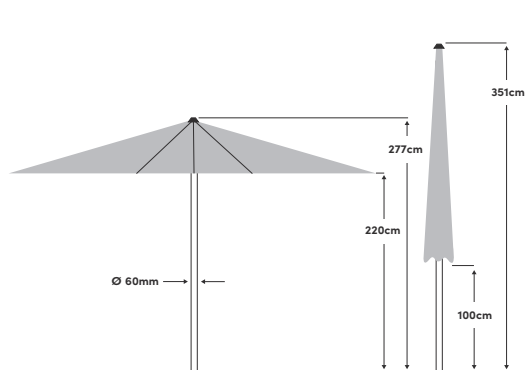
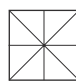
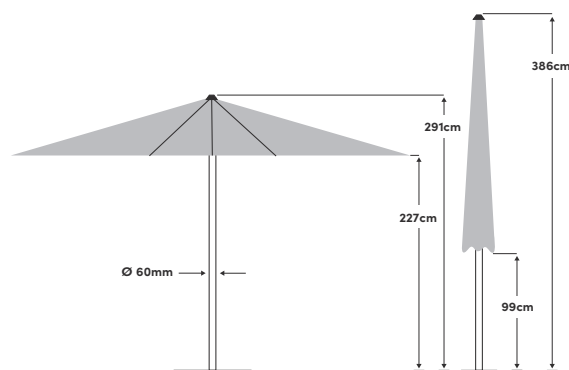
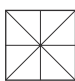


Gastrofit 350 × 350cm / 400 × 400cm



 350 × 350cm ①



 400 × 400cm ②

The listed measures represent extrapolated average values that may be slightly different on the product ($\pm 2\% \pm 5$ cm).

Special functions	Particularly fast opening and closing thanks to rope pull	Fabric	100% polyester 220g/m ² , water-repellent
Opening/closing	With slider	Lightfastness	6 (160 days)
Rotating	No	UV protection	> 98%
Height adjustment	No	Flounce	No
Rotation	No	Wind vent	No
Pole material	Aluminium	Fastener	Sewn into the fabric
Strut material	Steel	Use	Patio, restaurants
Number of struts	8	Included in the scope of delivery	
Pole size	60mm	Also available	Cross base, protective cover
Strut colour	Powder coating in platinum		

Recommended base weight	120kg ① 180kg ②
Packaging dimensions	258 × 26.3 × 26.3cm ① 293 × 26.3 × 26.3cm ②
Weight including packaging	23kg ① 26kg ②

Size	Colour	Article	EAN
350 × 350cm	Eggshell 150	59000351621150	7640125034707
400 × 400cm	Eggshell 150	59000401621150	7640125034714